

DHI-VTS5240B

Master Station



Features

- 10" TFT Capacitive touch screen, 1024×600
- IPC surveillance
- Alarm integration
- Micro SD card optional, max 32GB
- Record and snapshot(SD card needed)



Technical Specification

Mode	DHI-VTS5240B
------	--------------

System

Main Processor	Embedded Micro Processor
----------------	--------------------------

Operation System	Embedded LINUX OS
------------------	-------------------

Video

Video Compression	H.264
-------------------	-------

Audio

Audio Compression	G.711
-------------------	-------

Audio Input	Omnidirectional Mic
-------------	---------------------

Audio Output	Built-in Speaker
--------------	------------------

Bidirectional Talk	Support Dual-way Bidirectional talk
--------------------	-------------------------------------

Operation Mode

Keypad	Two Mechanical Buttons
--------	------------------------

Interface

Alarm In	4
----------	---

Alarm Out	1
-----------	---

Audio In	1
----------	---

HDMI	1
------	---

USB	2
-----	---

Network

Ethernet	10M/100Mbps Self-adaptive
----------	---------------------------

Network Protocol	TCP/IP
------------------	--------

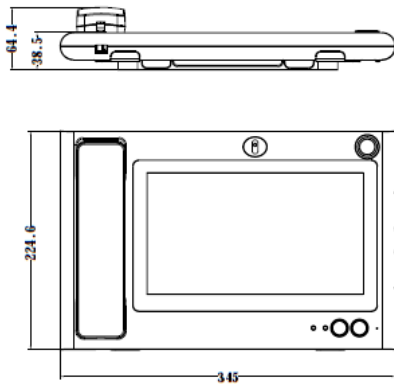
General

Memory Slot	Micro SD, Max 32G
-------------	-------------------

Material	Plastic
----------	---------

Power	DC 12V
Power Consumption	Max 12W
Working Environments	-10°C~+55°C
Relative Humidity	10%~90%RH
Dimensions	345mm×224.6mm×28mm
Weight	1.5Kg

Dimensions



Application

